

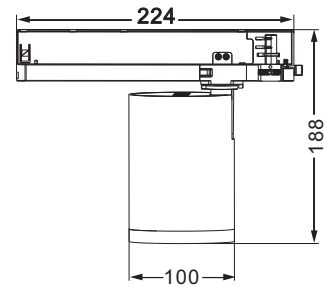
# Instructions

## Cautions :

1. Make sure the power stay on power " OFF " position before safe operation ;
2. The installation operator must hold a qualified electrician certificate ;
3. Check the lighting fixture and accessories before installation . If there is any damage in lamp body or glass , please stop the installation .

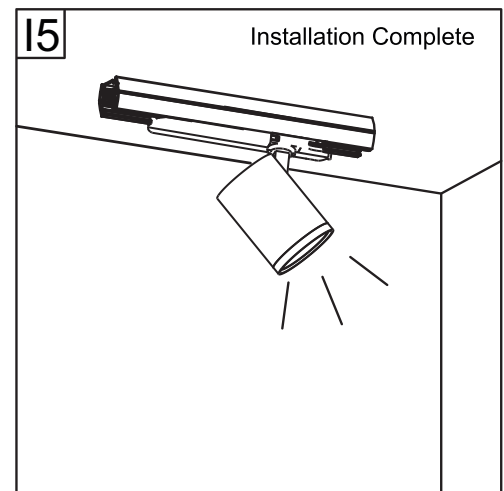
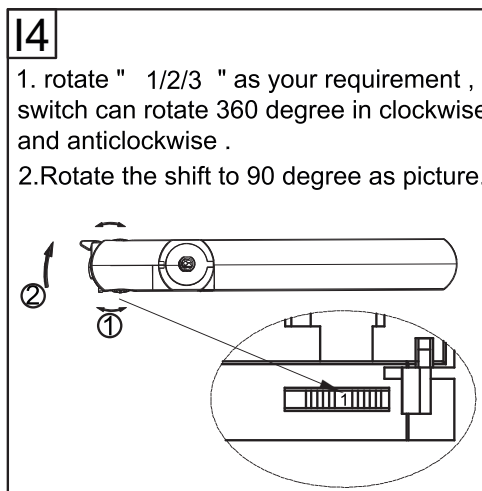
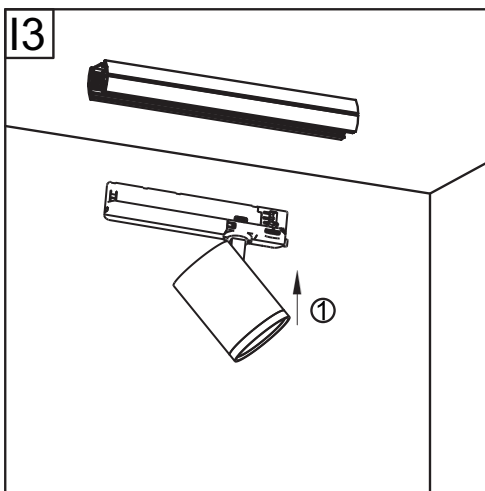
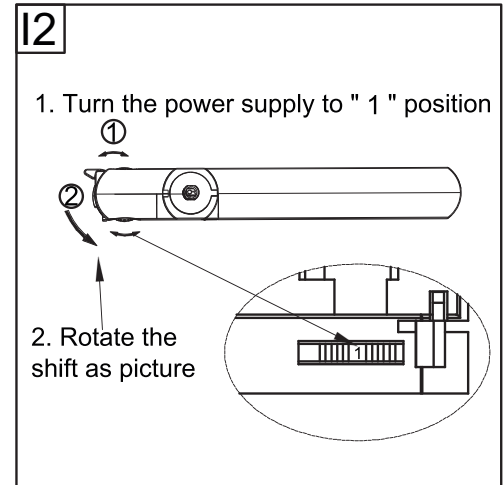
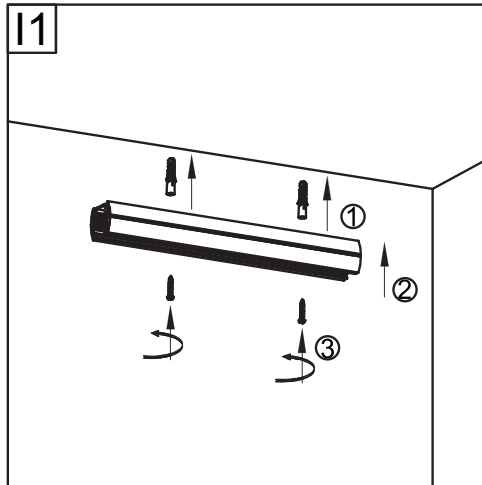
## Product Parameter :

Series Name : LED Track Spot Light  
 Dimension: 224x100x188mm  
 Input Voltage : AC 220~240 V 50/60 HZ  
 Power Max. : 40W  
 Driver : Inside Driver  
 Material : Aluminium Alloy Body  
 High Purity Aluminium Reflector



## Installation Step :

1. Install the track on the ceiling as picture I1 ;
2. Turn the power supply to " 1 " position and rotate the shift as picture I2 ;
3. Assembly the track head into track as picture I3 ; I4
4. Rotate the shift to 90 degree as picture I4 , rotate " 1/2/3 " as your requirement , switch can rotate 360 degree in clockwise and anticlockwise as picture I4 ;
5. Installation complete as picture I5 ;



## Disassemble Step :

1. Turn the power supply to " 1 " position and rotate the shift to 90 degree as picture D1 ;
2. Pull out of the head of track downward as picture D2 ;

