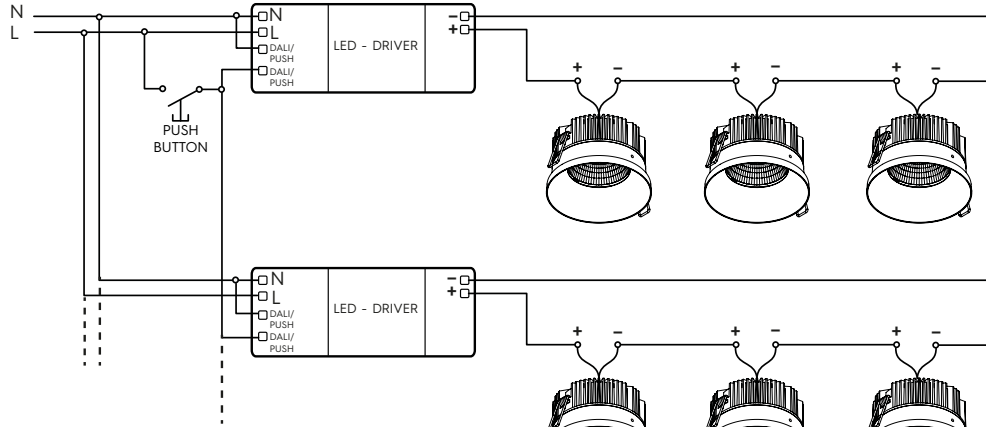
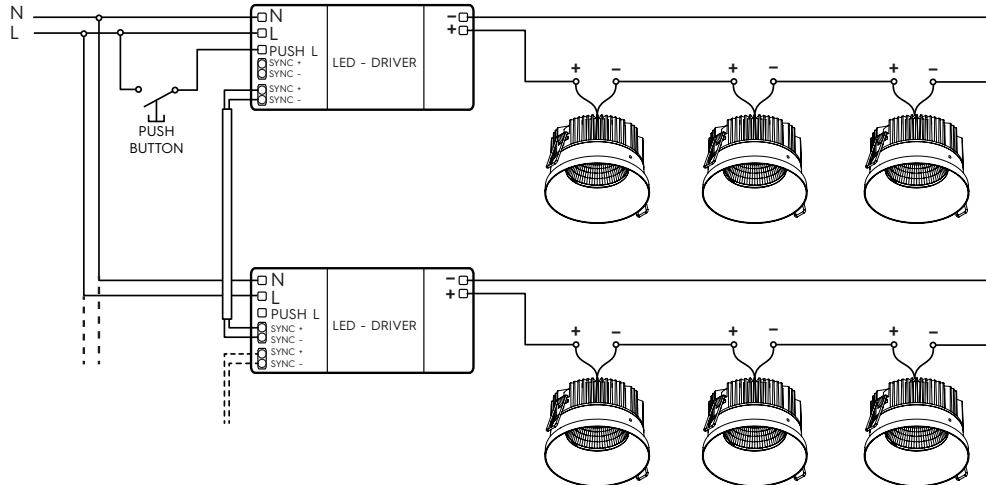


PUSH DIM - DOUBLE DIM CHANNEL



⚠ Always respect neutral and line.

PUSH DIM - MASTER SLAVE WITH SYNC CABLE



⚠ Always respect neutral and line.

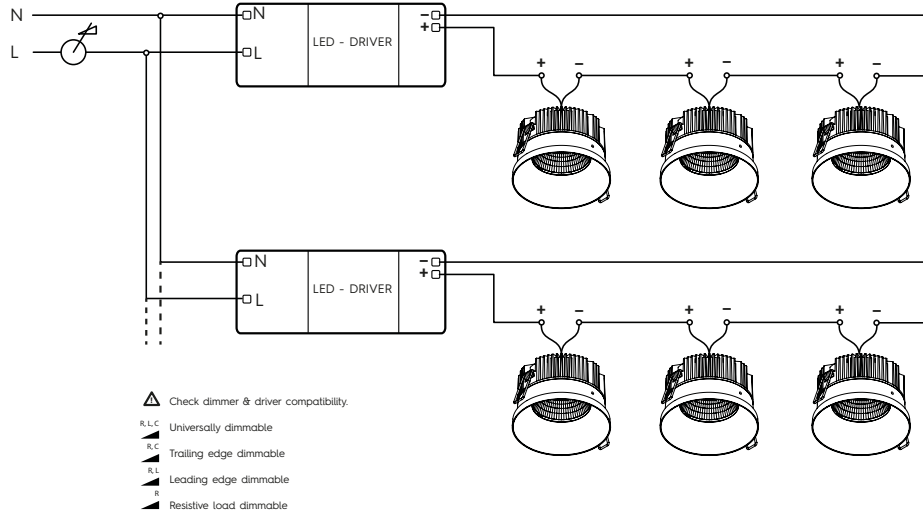
WIRING SCHEMES

- MAINS DIMMING
- 1-10V DIMMING
- DALI DIMMING
- PUSH DIM - SINGLE CHANNEL
- PUSH DIM - DOUBLE CHANNEL
- PUSH DIM - MASTER SLAVE WITH SYNC CABLE

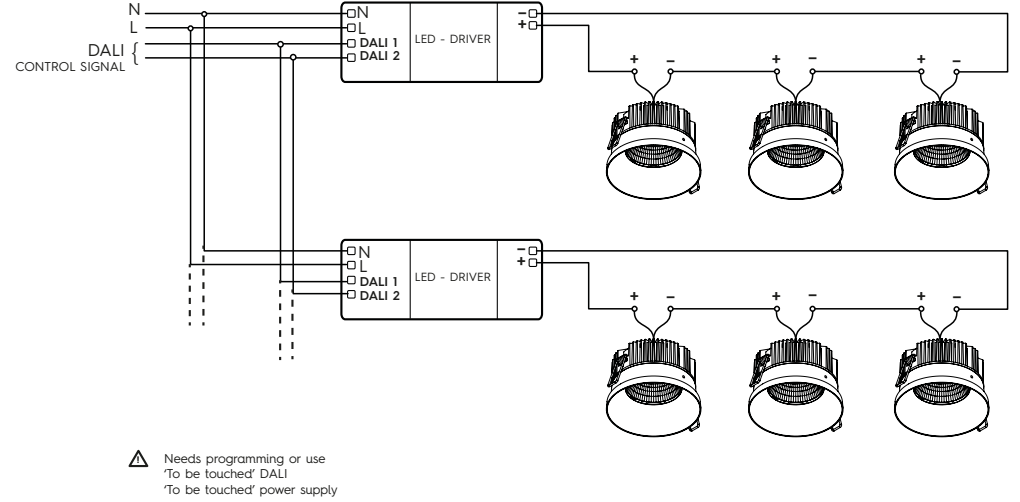
IMPORTANT LED INSTALLATION RESTRICTIONS

- Use only power supplies that are certified according to the applicable IEC or UL safety standards.
- Use only SELV power supplies and check the ratings of the power supply with those of the luminaire.
- The maximum current rating must be taken into account.
- The indicated typical voltage must not be used to select a constant voltage power supply but is intended to be used to select a constant current power supply that is able to cover that typical voltage.
- In case the luminaire is already equipped with a power supply, the luminaire may only be used with this power supply.
- Take appropriate ESD measures. Avoid touching bare conductors.
- LED's or LED luminaires that require a current controlled power supply must never be connected in parallel.
- LED's can be damaged by the contact with certain chemicals or chemical gasses.
- Therefore led domes or led engines should never be cleaned with chemical substances.
- The following substances have proven to have a negative influence on the performance and must not be used in the direct environment of a led luminaire: Methyl acetate or ethyl acetate (i.e., nail polish remover), Cyanoacrylates (i.e., "Superglue"), Glycol ethers (including Radio Shack® Precision Electronics Cleaner - dipropylene glycol monomethyl ether), Formaldehyde or butadiene (including Ashland PLIOBOND® adhesive), Dymax 984-LVUF conformal coating, Loctite Sumo Glue, Gorilla Glue, Bleach, Bleach-containing cleaners and sprays, Loctite 384 adhesive, Loctite 7387 activator and Loctite 242 thread locker
- Remove insulation and/or provide sufficient ventilation so that the indicated max Tc is not surpassed.
- LED's are susceptible to switching transients. Therefore switching must be done in the primary circuit of the power supply.
- Orbit recommends to use the power supplies that are indicated in the Orbit Catalogue.
- Respect polarity in order not to damage the LED's.
- Don't test LED luminaires one by one on a power supply that is switched on.

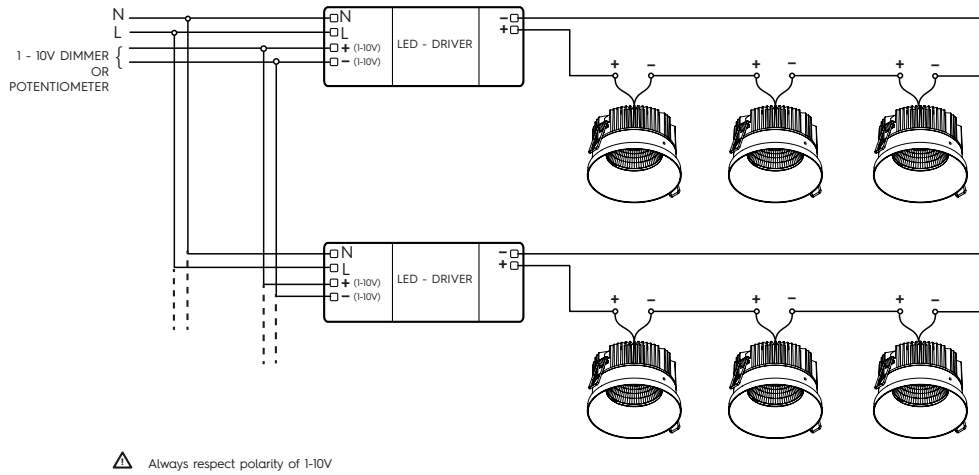
MAINS DIMMING



DALI



1 - 10 V



PUSH DIM - SINGLE DIM CHANNEL

